

Miro 6,2 Timer On-delay max.3-300 sec.

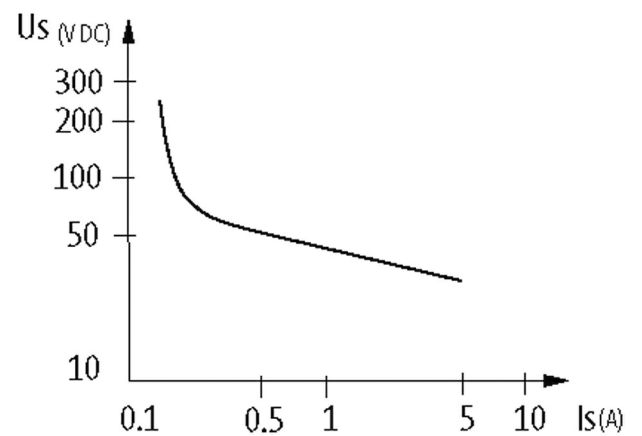
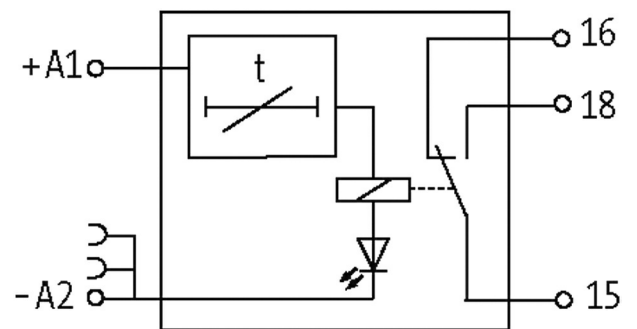
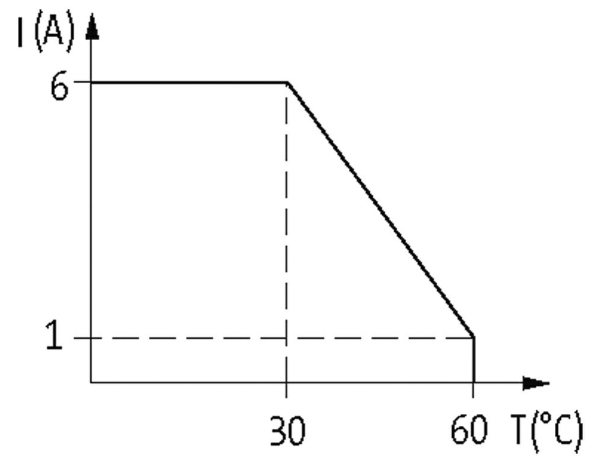
MIRO 6.2 TIMER ON-DELAY

Relay output

Switch on delay: 3...300 s

Screw terminals

Illustration



Product may differ from Image

Approvals**Input**

Input voltage	24 V DC (+10 -15%) input A
Input current	20 mA (input A)
Control voltage	24 V DC (+10 -15%) input B
Control current	5 mA (input B)

Output

Output voltage	max. 250 V AC/DC
Output current	max. 6 A
Min. load current	100 mA (12 V DC)
Output rating	max. 1500 VA/120 W
Switching frequency	max. 10 Hz
Contact material	Ag Sn O ₂
Energize/release/contact bounce time	10/15/1.5 ms

Utilization category

AC-12	6 A (24/110/230 V AC)
AC-15	3 A (24/110/230 V AC)
DC-13	1 A (24 V DC); 0.2 A (110 V DC); 0.1 A (230 V DC)

General data

Mech./ elect. life	20 000 000 switching cycles/load dependent
Test isolation voltage	4 kV; safe separation (EN 60947-1)
Mounting method	DIN-rail mountable (EN 60715)
Temperature range	0...+55 °C
Dimensions H×W×D	91×6.2×70 mm

Commercial data

country of origin	CZ
customs tariff number	85364900
EAN	4048879026994
eClass	27210990
Packaging unit	1